

# Sydney Wildlife Carers

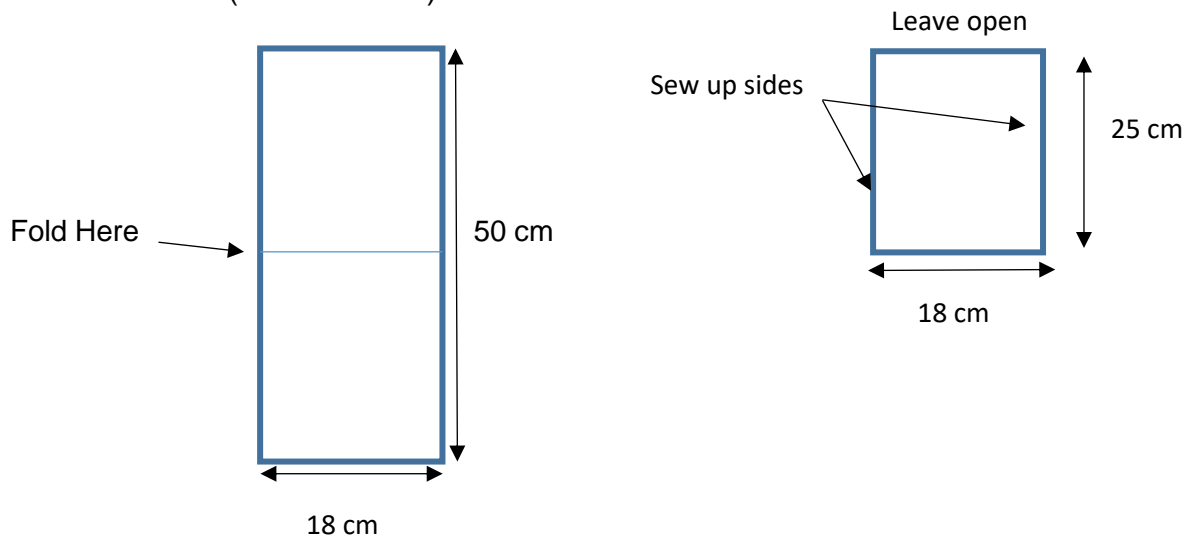
## Possum Pouches

[www.sydneywildlife.org.au](http://www.sydneywildlife.org.au)



Can you help?

Sydney Wildlife Carers are looking for possum pouches for baby possums. Pouches can be either knitted or crocheted, preferably with wool although acrylic is also acceptable. They can be any colour or design with the finished pouch being approx. 25 cm x 18 cm (10 x 7 inches).



Finished pouches can be

1. Dropped off at Sydney Wildlife office, Lane Cove National Park, Lady Game Drive, 9 am – 5 pm.
2. Posted to Sydney Wildlife: PO Box 78, Lindfield NSW 2070, attention Donna Lee.
3. Phone 02 9413 4300 or email [info@sydneywildlife.org.au](mailto:info@sydneywildlife.org.au) for other options.